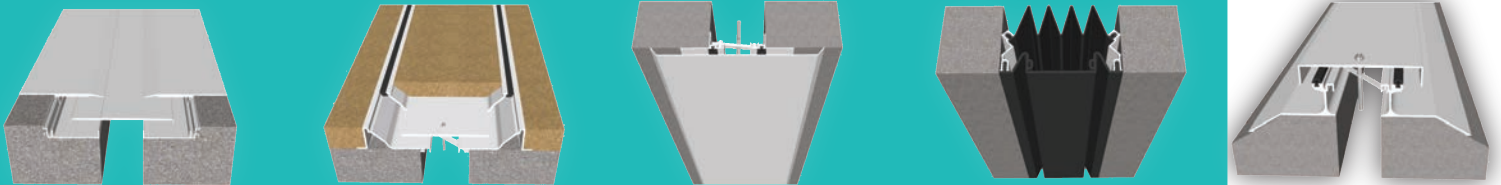


**EXPANSION JOINT SYSTEMS
INTERIOR & EXTERIOR**



FLOOR/ WALL/ CEILING/ ROOF

ALUMINUM/ STAINLESS STEEL/ BRONZE

FIRE RATED(2, 3 & 4 HOURS)

DECORATION/ LIGHT DUTY/ HEAVY DUTY/ SEISMIC APPLICATIONS

EXTERIOR SEALS

www.b-sgroup.com

Call Now : 021-62377221

PRODUCT CATALOGUE 2013



www.b-sgroup.com

sales@b-sgroup.com

>>

Since 2000, B/S has focused on the design and manufacture of building material, offering solutions for Architectural, Structural and Decorational needs. B/S is dedicated to the environmental sustainability of buildings by providing innovative highly functional architectural materials and products while minimizing environmental impact.

We help meet the unique requirements of building material, providing you with solutions to questions such as:

How to help architects both functionally and aesthetically?

How to minimize the cost of design, installation and maintainance?

How to fit the construction products in harmony with our living and working environment?



Structural & Architectural Expansion Joint Systems

>>

B/S is proud to offer high-quality, innovative and durable materials for use in sealing and bridging small and large building components and structural joints in foundations, decks, walls, and floors. This catalog offer a selection of the industry's expansion joint covers and finest sealant products for structural and architectural applications.

With over 10 years of designing and supplying joint sealing and bridging solutions for projects worldwide, B/S expansion joint covers deliver proven performance for multidimensional thermal and seismic movements, fire safety, and specialized design criteria. And our commitment to on-going testing ensures you that B/S's systems meet or exceed current standards and requirements.

Selection Guides

Floor Expansion joint Covers

B/S offers floor expansion joint covers to match most floor and floor-to-wall applications. The systems offer thermal, structural and settlement joint and will accommodate limited seismic movement. Systems are available in stainless steel, aluminum, and brass to complement most facets of architectural design.

The systems should be considered with wall-line series wall and ceiling expansion joint covers.

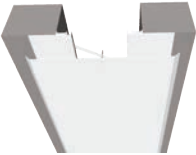


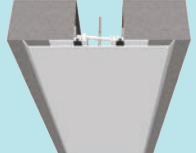
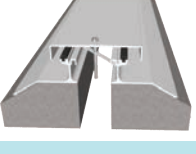
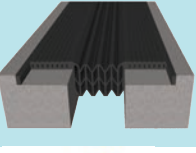

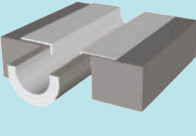
Category	Product Image	Joint Size/ Movement	Features	Material/Color	Application	Fire Rated	Watertight	Page
A SERIES Thinline Floor		25-50 (mm) 5-25%	<ul style="list-style-type: none"> ➤ Flat seal with narrow sightline. Where wheeled equipment is to be used. The series is supplied in 50m lengths and as standard the replaceable synthetic rubber insert are alternative colors. 	<ul style="list-style-type: none"> ✔ Black ✔ White ✔ Beige ✔ Brown ✔ Light Gray ✔ Gray 	<ul style="list-style-type: none"> ◆ Light duty ◆ Wheeled equipments ◆ Hygiene Request 	✔	✔	05
A2 SERIES Thinline Floor Surface Mounted		25-50 (mm) 5-50%	<ul style="list-style-type: none"> ➤ Flat seal with narrow sightline. B/S resilient surface mounted series. The series is supplied in 50m lengths and as standard the replaceable synthetic rubber insert are grey. 	<ul style="list-style-type: none"> ✔ Black ✔ White ✔ Beige ✔ Brown ✔ Light Gray ✔ Gray 	<ul style="list-style-type: none"> ◆ Light duty ◆ Wheeled equipments ◆ Hygiene Request 	✔	✔	06
B SERIES Twinline Floor		25-50 (mm) 25-100%	<ul style="list-style-type: none"> ➤ B series floor covers are available with 3mm tile recess and plain cover plates. Aluminum center plate with centering bar. Extruded aluminum sub-channel. 	<ul style="list-style-type: none"> ✔ Black ✔ White ✔ Beige ✔ Brown ✔ Light Gray ✔ Gray 	<ul style="list-style-type: none"> ◆ Light duty ◆ Wheeled equipments ◆ Hygiene Request 	✔	✔	07
C SERIES Metal Lock System		100-300 (mm) 50-100%	<ul style="list-style-type: none"> ➤ Aluminum cover plate-standard mill finish. Sliding aluminum center plate. Extruded aluminum sub-channel(6063-T5), suitable for most floor finishes. 	<ul style="list-style-type: none"> ✔ Aluminum ✔ Stainless Steel ✔ Bronze 	<ul style="list-style-type: none"> ◆ Light duty ◆ Not recommended wheeled equipment 	✔	✔	08
D SERIES Metal Plate System		50-200 (mm) 50-100%	<ul style="list-style-type: none"> ➤ Interior or exterior seismic applications. A center plate system designed for floor expansion joint application. Limited car access(Heavy duty models). 	<ul style="list-style-type: none"> ✔ Aluminum ✔ Stainless Steel ✔ Bronze 	<ul style="list-style-type: none"> ◆ Light duty ◆ Not recommended wheeled equipment 	✔	✔	09
D2 SERIES Metal Slip Joint		25-100 (mm) 50-100%	<ul style="list-style-type: none"> ➤ Light duty pedestrian application. Install easily. The covers are available with aluminum, stainless steel and brass cover plate. 	<ul style="list-style-type: none"> ✔ Aluminum ✔ Stainless Steel ✔ Bronze 	<ul style="list-style-type: none"> ◆ Light duty ◆ Limited vehicular access 	✔	✔	10
E SERIES Seismic System		100-500 (mm) 50%	<ul style="list-style-type: none"> ➤ Interior and exterior seismic applications. Ideal for terrazzo tile application, flush floor finish minimum visible. Heavy duty versions available for limited vehicular access. where wheeled equipment is to be used. 	<ul style="list-style-type: none"> ✔ Aluminum ✔ Stainless Steel ✔ Bronze 	<ul style="list-style-type: none"> ◆ Seismic condition ◆ Limited vehicular access 	✔	✔	11
F SERIES Foam Sealant Sound Barrier		25-500 (mm) 50%	<ul style="list-style-type: none"> ➤ Warranted for watertightness. Watertight, odorless, clean handling, non-staining, low-temperature flexible, high-temperature stable. 100% free of wax or asphalt compounds. 	<ul style="list-style-type: none"> ✔ Impregnated Foam ✔ Silicone Bellows 	<ul style="list-style-type: none"> ◆ Interior Floor ◆ Exterior Floor ◆ Interior Wall ◆ Exterior Wall 	✔	✔	12

Selection Guides

Wall, Ceiling, Roof Covers Specialty Covers

B/S offers wall, ceiling & roof expansion joint covers to match most structure conditions. There are a variety of systems which range from spring fixings details to mechanical fixed details in full aluminium and Santoprene inserts.

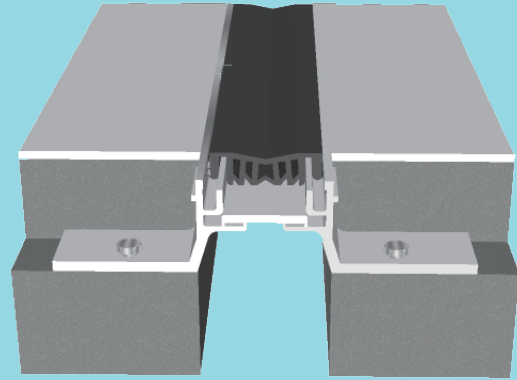
B/S roof series joint covers come standard with a water/wind barrier and top seal gaskets for the centre plate screw of the flat roof cover.

Category	Product Image	Joint Size/ Movement	Features	Material/Color	Application	Fire Rated	Watertight	Page
G SERIES Interior Wall Ceiling Metal Plate System		75-500 (mm) 50%	➤ Designed for wall and ceiling expansion joint applications. Suitable 75-500mm joint width. Clear anodized finish.	✓ Aluminum Stainless Steel Bronze	◆ Interior Wall Ceiling	✓	✓	13
H SERIES Interior Wall Ceiling Metal Snap-Lock		50-500 (mm) 50-100%	➤ Snap-Lock assembly is quick and easy to install and maintain. Clean and tidy, flush wall finish. Clear anodized finish.	✓ Aluminum Stainless Steel Bronze	◆ Interior Wall Ceiling	✓	✓	14
R SERIES Exterior Wall Ceiling Seal System		50-400 (mm) 50-100%	➤ Excellent waterproof & anti-seismic ability. Frame designed to attach to most external skin structure. Custom colour available.	✓ Black White Beige Brown Light Gray Gray	◆ Exterior Wall Interior Wall Ceiling	✓	✓	15
S SERIES Exterior Wall Metal Cover Plate		75-500 (mm) 50%	➤ Employ a stainless steel turn bar to ensure that the cover plate remains centered. Aluminum, stainless steel, brass are optional. Exterior and interior wall applications.	✓ Aluminum Stainless Steel Bronze	◆ Exterior Wall Interior Wall Ceiling	✓	✓	16
T SERIES Metal Cover Roof		50-500 (mm) 50-100%	➤ All roof series joint covers come standard with a water/wind barrier and top seal gaskets for the centre plate screw of the flat roof cover. Multi-directional movement requirements.	✓ Aluminum Stainless Steel Bronze	◆ Roof Roof to Wall	✓	✓	17
W SERIES Wing Seals System		25-100 (mm) 50-100%	➤ Heavy Duty, Open Air Structures, Parking Decks, Arenas, Stadiums, Exterior conditions application. Water resistant application.	✓ Black White Beige Brown Light Gray Gray	◆ Heavy Duty Open Air Structures Parking Decks Arenas Stadiums	✓	✓	18
V SERIES Tile & Marble Strip		100-500 (mm) 50%	➤ Designed for all hard flooring application and be installed in conjunction with wet bedded flooring application. Brass, Zinc, Stainless Steel are optional. The gasket is continuous.	✓ Aluminum Stainless Steel Bronze	◆ Interior Floor Exterior Floor Interior Wall Exterior Wall			19
U SERIES Fire Barrier		25-500 (mm) 50%	➤ For horizontal and vertical openings up to 25mm. Fire Rated 2, 3, & 4 hours. Easy installation.	✓ Fire Barrier	◆ Interior Floor Exterior Floor Interior Wall Exterior Wall			20

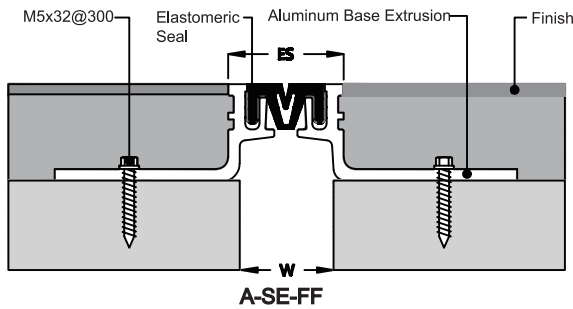
A SERIES/ THINLINE FLOOR

Single Elastomeric System

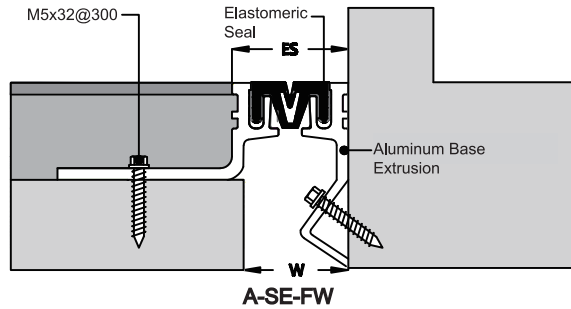
- > Flat seal with narrow sightlines.
- > Applications with small, interior joints where minimal visual impact is preferred.
- > Where wheeled equipment is to be used.
- > The series is supplied in 50m lengths and as standard the replaceable synthetic rubber inserts are grey (beige or black can be supplied on request).



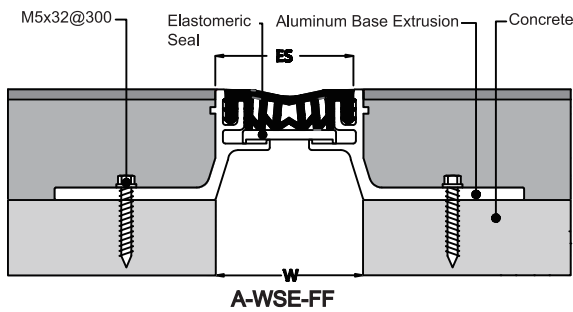
Floor to Floor



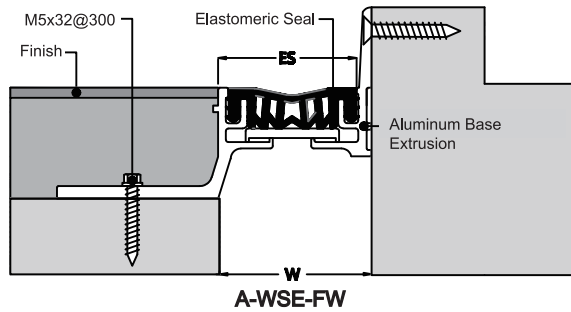
Floor to Wall



Floor to Floor



Floor to Wall



>> The series offers the opportunity to use the most similar joint cover in the wall and ceiling to the floor. This is particularly effective when the construction joint forms a square box shape. That means the joint runs across the floor, up both walls and across the rubber insert can continue around the box.

APPLICATION



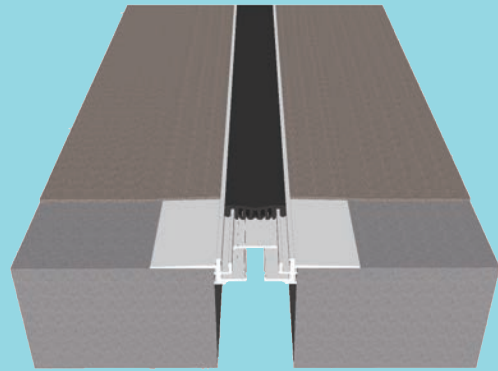
Model Data				
Specify Model	A-SE-FF		A-SE-FW	
Joint Width	25	50	25	50
Movement	6	12	6	12
Exposed Surface	31	62	31	62
Composition	Aluminum/Elastomeric		Aluminum/Elastomeric	

Model Data				
Specify Model	A-WSE-FF		A-WSE-FW	
Joint Width	75	100	75	100
Movement	18	25	18	25
Exposed Surface	87	112	87	112
Composition	Aluminum/Elastomeric		Aluminum/Elastomeric	

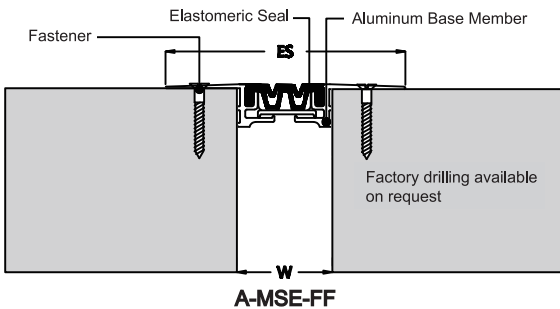
A2 SERIES/ THINLINE FLOOR

Surface Mounted

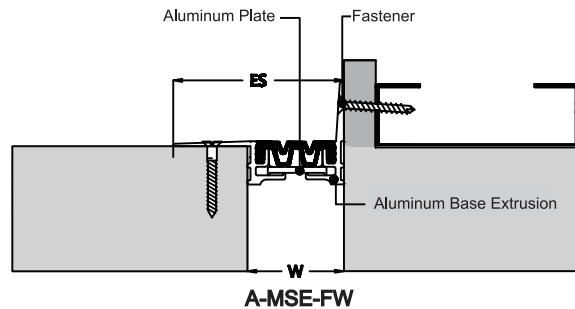
- >B/S Resilient surface mounted series.
- >Applications with small, interior joints where minimal visual impact is preferred.
- >Where wheeled equipment is to be used.
- >The series is supplied in 50m lengths and as standard the replaceable synthetic rubber inserts are grey (beige or black can be supplied on request).



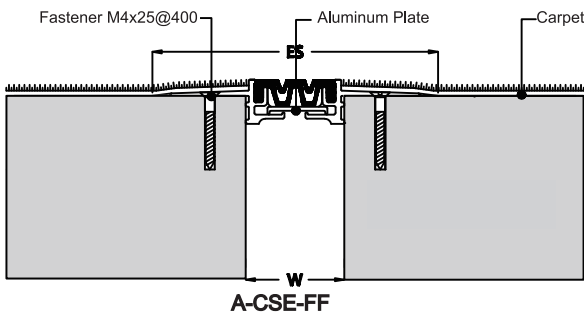
Floor to Floor



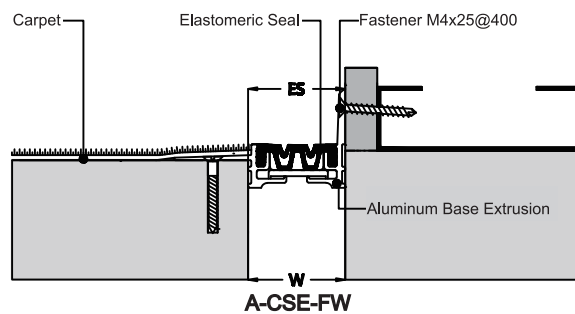
Floor to Wall



Floor to Floor



Floor to Wall



COLOR

<input checked="" type="checkbox"/> Black	<input checked="" type="checkbox"/> White	<input checked="" type="checkbox"/> Beige
<input checked="" type="checkbox"/> Brown	<input checked="" type="checkbox"/> Light Gray	<input checked="" type="checkbox"/> Gray

APPLICATION

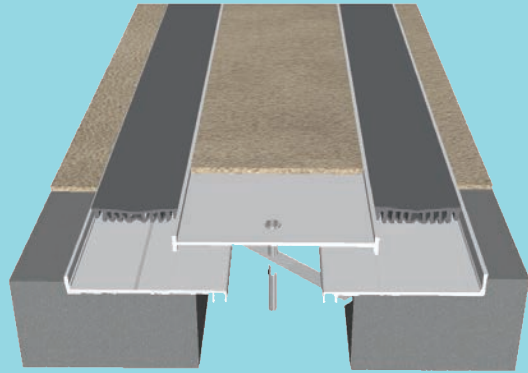
--	--	--	--	--

Model Data				
Specify Model	A-MSE-FF		A-MSE-FW	
Joint Width	25	50	25	50
Movement	6	12	6	12
Exposed Surface	31	62	31	62
Composition	Aluminum/Elastomeric		Aluminum/Elastomeric	

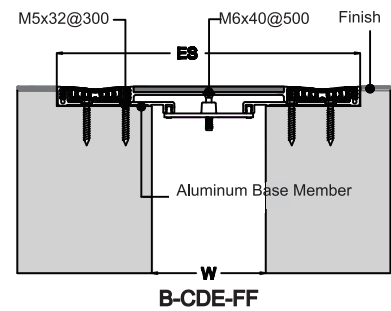
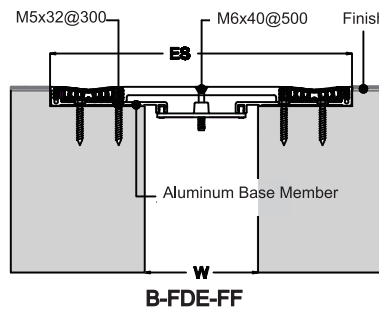
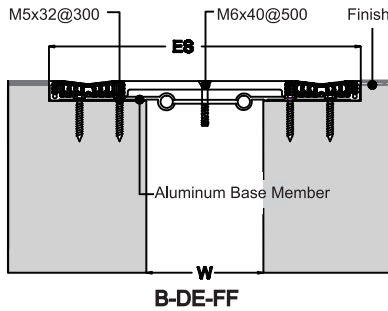
Model Data				
Specify Model	A-CSE-FF		A-CSE-FW	
Joint Width	75	100	75	100
Movement	18	25	18	25
Exposed Surface	87	112	87	112
Composition	Aluminum/Elastomeric		Aluminum/Elastomeric	

B SERIES/ TWINLINE FLOOR Dual Elastomeric System

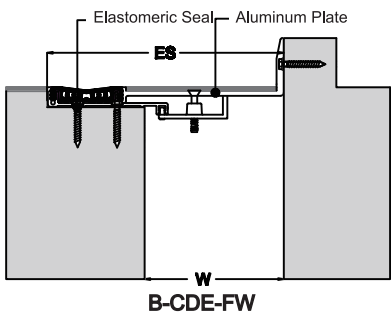
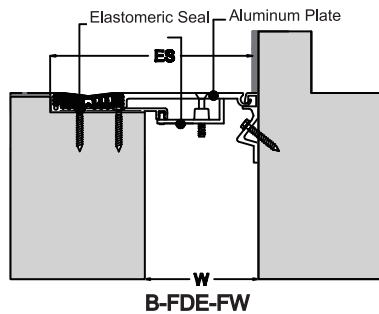
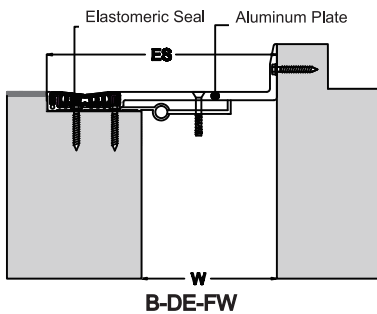
- >B Series floor covers are available with 3mm tile recess and plain cover plates.
- >Aluminum center plate with centering bar.
- >Extruded aluminum sub-channel.
- >Thermoplastic elastomeric insert.
- >Movement capabilities: 100% and 50%.



Floor to Floor



Floor to Wall



COLOR

Black White Beige
 Brown Light Gray Gray

APPLICATION

PEDESTRIAN APPLICATION WHEELED APPLICATION SEISMIC DESIGN FIRE RATED AVAILABLE WATERPROOF SYSTEM

Model Data															
Specify Model	B-DE-FF					B-FDE-FF					B-CED-FF				
Joint Width	100	150	200	250	300	100	150	200	250	300	100	150	200	250	300
Movement	25	25	25	25	25	25	25	25	25	25	25	25	25	25	25
Exposed Surface	278	328	378	428	478	278	328	378	428	478	278	328	378	428	478
Composition	Aluminum/Elastomeric														

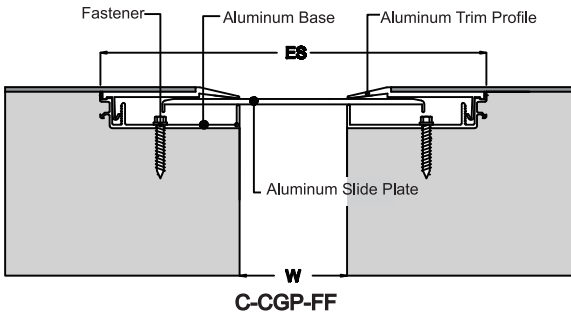
Model Data															
Specify Model	B-DE-FW					B-FDE-FW					B-CED-FW				
Joint Width	100	150	200	250	300	100	150	200	250	300	100	150	200	250	300
Movement	13	13	13	13	13	13	13	13	13	13	13	13	13	13	13
Exposed Surface	189	239	289	339	389	189	239	289	339	389	189	239	289	339	389
Composition	Aluminum/Elastomeric														

C SERIES/ METAL FLOOR Metal Lock System

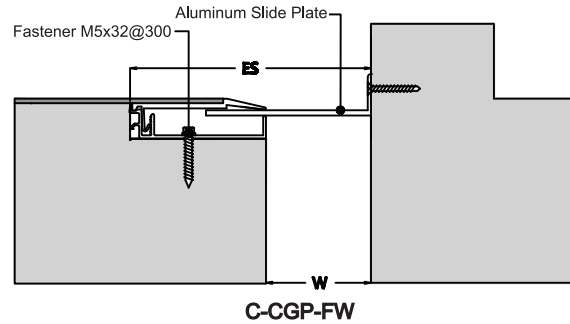
- >Aluminum cover plate-standard mill finish.
- >Sliding aluminum center plate.
- >Extruded aluminum sub-channel(6063-T5).
- >Not recommended where wheeled equipment is to be used.
- >Suitable for most floor finishes.
- >Movement capabilities:100% and 50%.



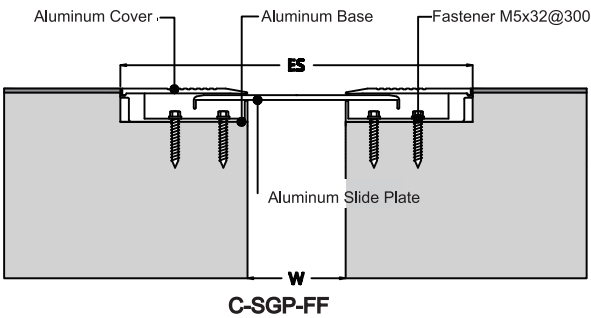
Floor to Floor



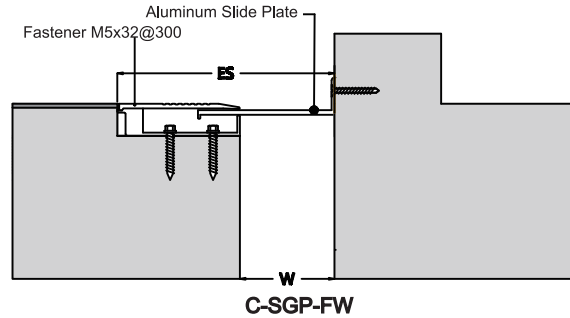
Floor to Wall



Floor to Floor



Floor to Wall



MATERIAL

ALUMINUM
 STAINLESS STEEL
 BRONZE

APPLICATION

PEDESTRIAN APPLICATION
 INDOOR CONDITION
 DIRECTION SYSTEM
 FIRE RATED AVAILABLE
 WATERPROOF SYSTEM

Model Data												
Specify Model	C-CGP-FF						C-CGP-FW					
Joint Width	50	75	100	125	150	200	50	75	100	125	150	200
Movement	25	37	50	62	75	100	13	18	25	31	38	50
Exposed Surface	193	218	275	300	325	375	121	133	188	213	238	288
Composition	Aluminum/ Stainless Steel/ Bronze						Aluminum/ Stainless Steel/ Bronze					

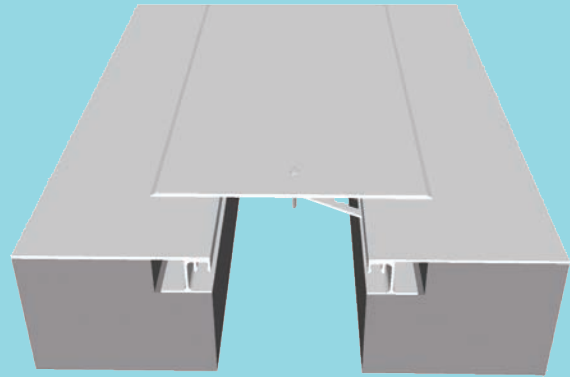
Model Data												
Specify Model	C-SGP-FF						C-SGP-FW					
Joint Width	50	75	100	125	150	200	50	75	100	125	150	200
Movement	25	35	50	62	75	100	13	18	25	31	38	50
Exposed Surface	220	245	320	345	370	420	135	160	210	235	260	310
Composition	Aluminum/ Stainless Steel/ Bronze						Aluminum/ Stainless Steel/ Bronze					

Standard CAD details are available online at www.bs-group.com. For application specific CAD details contact B/S directly.

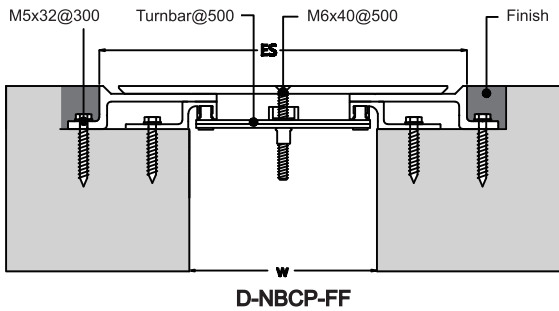
D SERIES/ METAL FLOOR

Metal Plate System

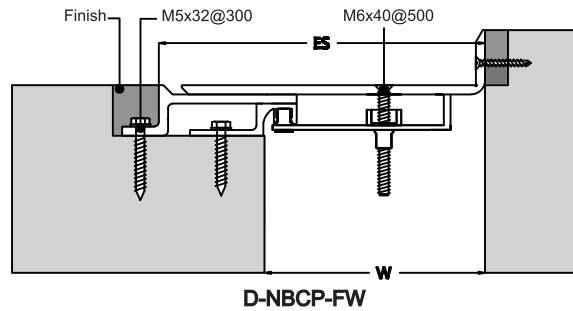
- >Interior or exterior seismic applications.
- >A center plate system designed for floor expansion joint application.
- >Limited car access(heavy duty models).
- >Minus 50%-100% thermal and seismic movement in normal expansion joint gaps of 25-500mm.



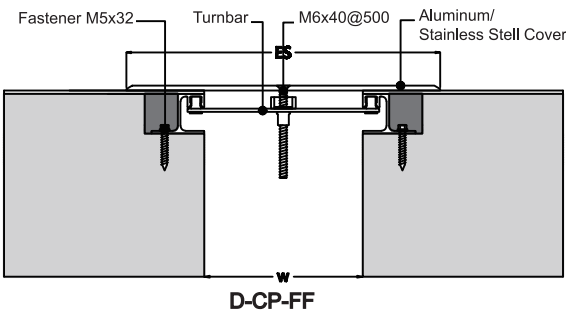
Floor to Floor



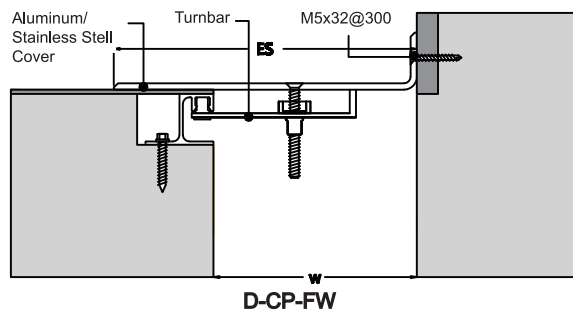
Floor to Wall



Floor to Floor



Floor to Wall



MATERIAL

ALUMINUM
 STAINLESS STEEL
 BRONZE

APPLICATION

PEDESTRIAN APPLICATION
 INDOOR CONDITION
 SEISMIC DESIGN
 FIRE RATED AVAILABLE
 WATERPROOF SYSTEM

Model Data

Specify Model	D-NBCP-FF															D-NBCP-FW														
	Joint Width	50	75	100	125	150	200	250	300	350	400	450	500	50	75	100	125	150	200	250	300	350	400	450	500					
Movement	13	25	50	50	50	50	50	75	100	125	150	175	7	12	25	25	25	25	25	38	50	62	75	87						
Exposed Surface	89	167	192	217	242	292	342	417	492	547	642	717	68	121	146	171	196	246	296	358	421	483	546	609						
Composition	Aluminum/ Stainless Steel/ Bronze															Aluminum/ Stainless Steel/ Bronze														

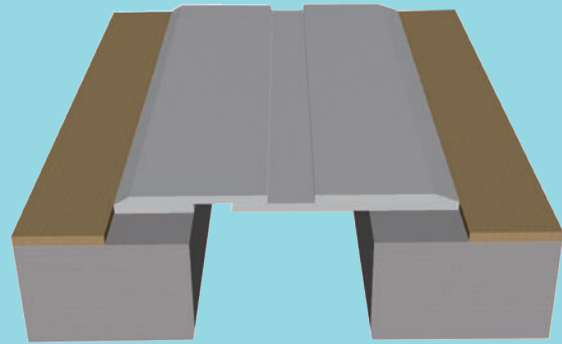
Model Data

Specify Model	D-CP-FF															D-CP-FW														
	Joint Width	50	75	100	125	150	200	250	300	350	400	450	500	50	75	100	125	150	200	250	300	350	400	450	500					
Movement	25	37	50	62	75	100	125	150	175	200	225	250	12	18	25	31	37	50	62	75	87	100	112	125						
Exposed Surface	150	175	200	225	250	200	375	450	525	600	675	750	100	125	150	175	200	250	312	375	437	500	562	625						
Composition	Aluminum/ Stainless Steel/ Bronze															Aluminum/ Stainless Steel/ Bronze														

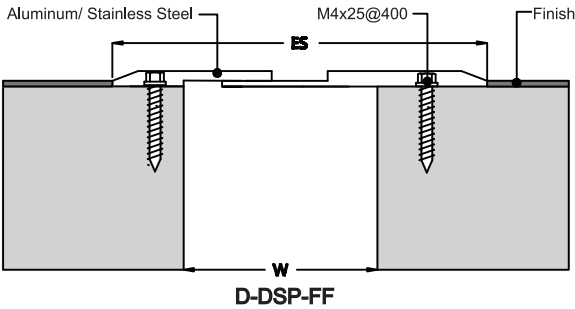
Standard CAD details are available online at www.b-sgroup.com. For application specific CAD details contact B/S directly.

D2 SERIES/ METAL FLOOR Metal Plate System

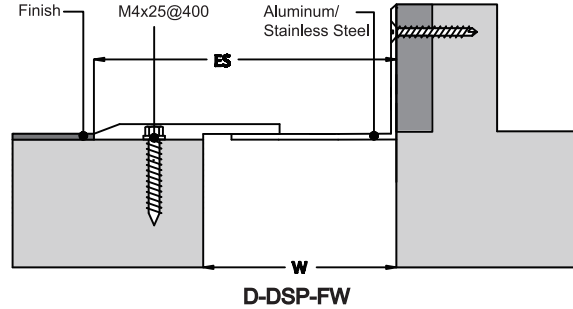
- >Light duty pedestrian application.
- >Install easily.
- >The system offer various movements in 6 directions.
- >The covers are available with aluminum, stainless steel and brass cover plate (best suited to carpet application where the side member can not be seen).



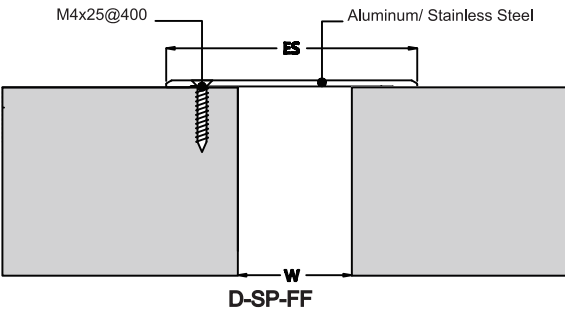
Floor to Floor



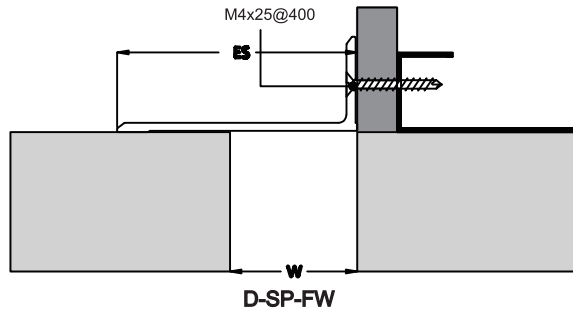
Floor to Wall



Floor to Floor

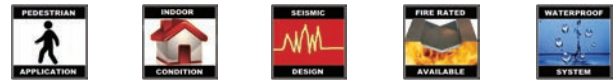


Floor to Wall



>>
The series floor and floor to wall expansion joint covers are designed for light duty pedestrian application such as office buildings, and super markets and are generally used in slab on ground construction.

APPLICATION

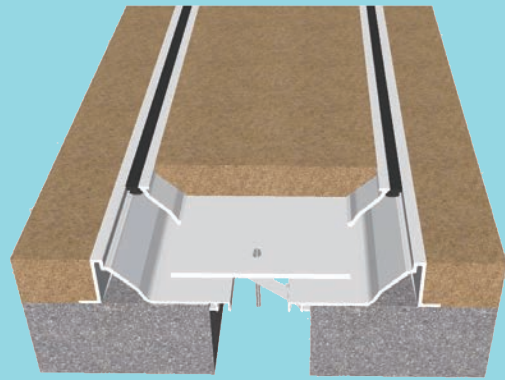


Model Data		D-DSP-FF		D-DSP-FW	
Specify Model					
Joint Width		25		25	
Movement		25		25	
Exposed Surface		75		75	
Composition		Aluminum/Stainless Steel/ Bronze		Aluminum/Stainless Steel/ Bronze	

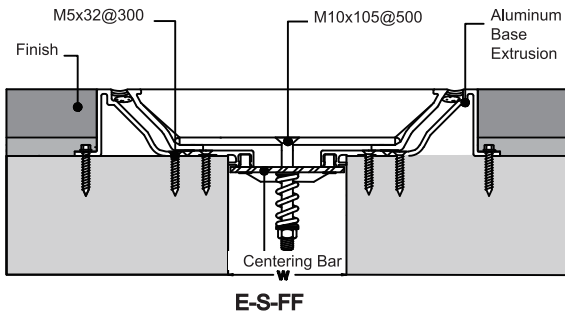
Model Data		D-SP-FF				D-SP-FW			
Specify Model									
Joint Width		25	50	75	100	25	50	75	100
Movement		25	50	75	100	25	50	75	100
Exposed Surface		105	135	175	210	67	97	137	172
Composition		Aluminum/Stainless Steel/ Bronze				Aluminum/Stainless Steel/ Bronze			

E SERIES/ SEISMIC FLOOR Seismic System

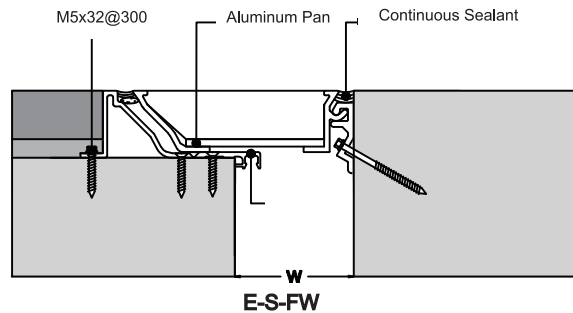
- >Ideal for terrazzo tile applications.
- >Interior or exterior seismic applications.
- >Heavy duty version available for limited vehicular access.
- >Where wheeled equipment is to be used.
- >100% movement shown-50% also available.
- >Custom blackout required -contact factory.



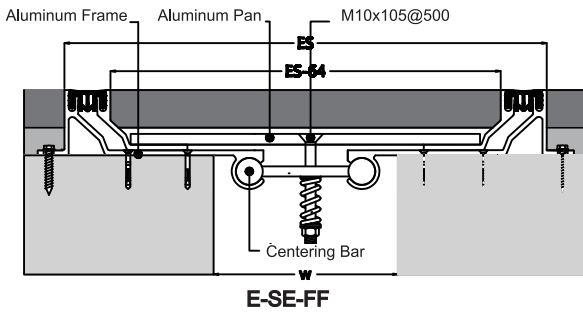
Floor to Floor



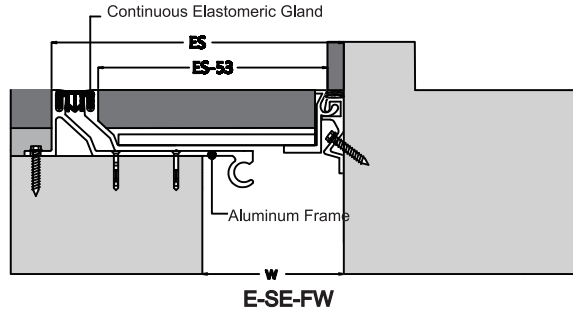
Floor to Wall



Floor to Floor



Floor to Wall



>>
B/S E series standard floor and floor to wall expansion joint covers are designed for normal pedestrian application such as airport terminals, office buildings, hotels, foyers, stadiums and shopping centers.

APPLICATION



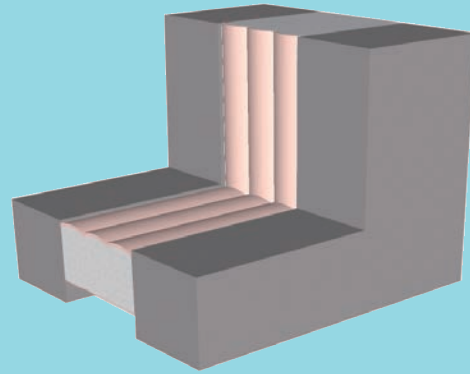
Model Data																				
Specify Model	E-S-FF										E-S-FW									
Joint Width	100	125	150	200	250	300	350	400	450	500	100	125	150	200	250	300	350	400	450	500
Movement	50	62	75	100	125	150	175	200	225	250	25	31	37	50	62	75	87	100	112	125
Exposed Surface	326	351	376	426	476	526	576	626	676	726	212	237	362	312	362	412	462	512	562	612
Composition	Aluminum/Elastomeric										Aluminum/Elastomeric									

Model Data																				
Specify Model	E-SE-FF										E-SE-FW									
Joint Width	100	125	150	200	250	300	350	400	450	500	100	125	150	200	250	300	350	400	450	500
Movement	50	62	75	100	125	150	175	200	225	250	25	31	37	50	62	75	87	100	112	125
Exposed Surface	326	351	376	426	476	526	576	626	676	726	212	237	362	312	362	412	462	512	562	612
Composition	Aluminum/Elastomeric										Aluminum/Elastomeric									

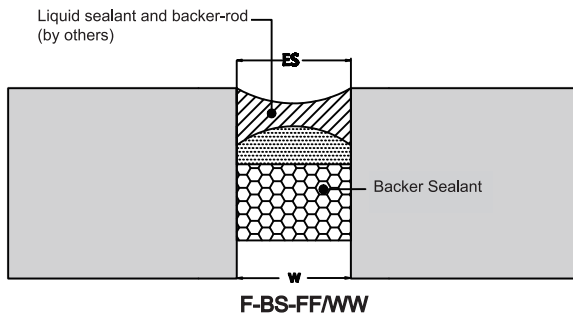
F SERIES/ FOAM SEALANT

Silicone-Faced Intumescent Bellows

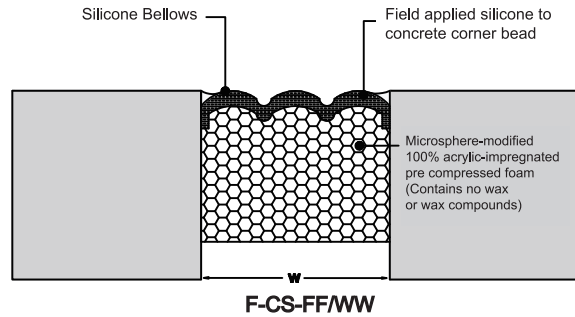
- >Ideal for terrazzo tile applications.
- >Interior or exterior seismic applications.
- >Heavy duty version available for limited vehicular access.
- >Where wheeled equipment is to be used.
- >100% movement shown-50% also available.
- >Custom blackout required -contact factory.



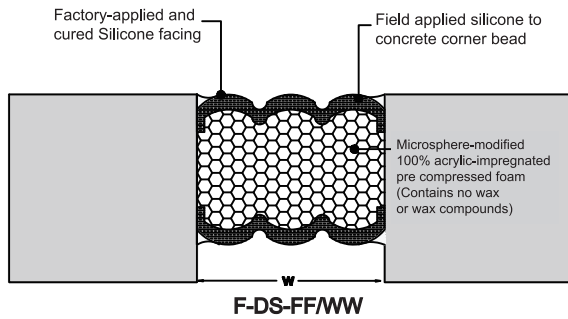
Floor to Floor



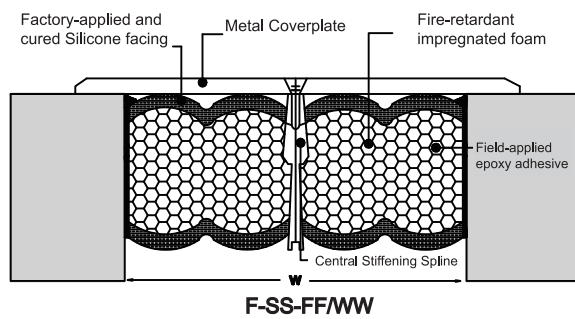
Floor to Wall



Floor to Floor



Floor to Wall



COLOR

<input checked="" type="checkbox"/> Black	<input checked="" type="checkbox"/> White	<input checked="" type="checkbox"/> Beige
<input checked="" type="checkbox"/> Brown	<input checked="" type="checkbox"/> Light Gray	<input checked="" type="checkbox"/> Gray

APPLICATION

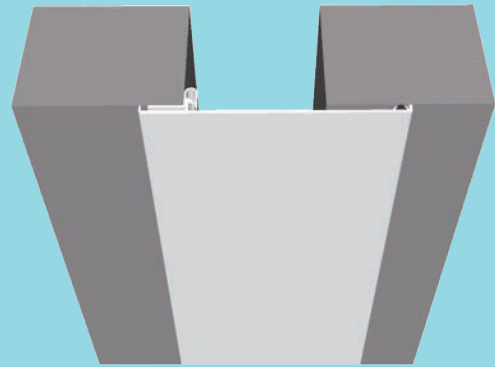
--	--	--	--	--

Model Data		F-B-S-FF/WW										F-C-S-FF/WW								
Specify Model																				
Joint Width		3	5	10	15	20	25	50	75	100	125	12	15	20	25	50	75	100	150	175
Movement		1	2	5	7	10	12	25	37	50	62	6	7	10	12	25	37	50	75	87
Exposed Surface		3	5	10	15	20	25	50	75	100	125	12	15	20	25	50	75	100	150	175
Composition		Foam/ Silicone										Foam/ Silicone								

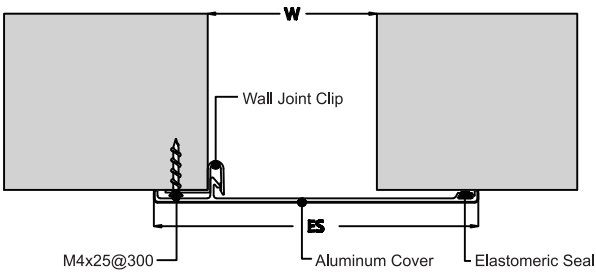
Model Data		F-D-S-FF/WW										F-S-S-FF/WW									
Specify Model																					
Joint Width		12	15	20	25	50	75	100	125	150	175	150	175	200	225	250	275	300	350	400	450
Movement		6	7	10	12	25	37	50	62	75	87	75	87	100	112	125	137	150	175	200	225
Exposed Surface		12	15	20	25	50	75	100	125	150	175	150	175	200	225	250	275	300	350	400	450
Composition		Foam/ Silicone										Foam/ Silicone									

G SERIES/ METAL WALL & CEILING Metal Lock System

- >Interior wall and ceiling applications.
- >Clean and tidy, flush wall finish.
- >Blockout required and limited sightline.
- >Snap-Lock, easy installation & maintenance and durable.
- >Minimum 50% movement.

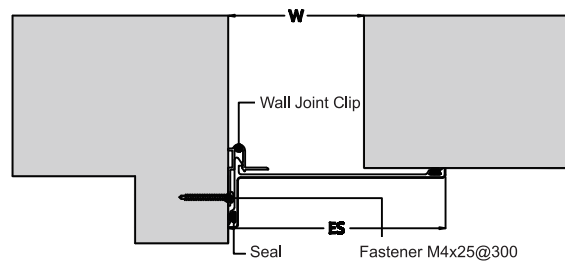


Wall to Wall



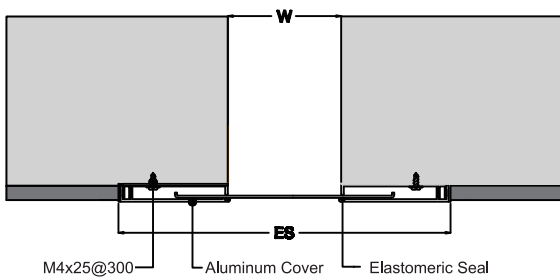
G-SO-WW/CC

Wall to Corner



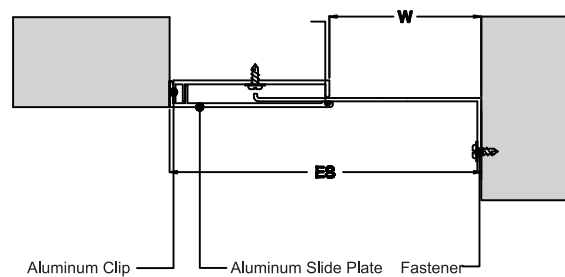
G-SO-CW

Wall to Wall



G-GP-WW/CC

Wall to Corner

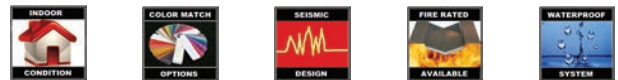


G-GP-CW

>>

The series aluminum expansion joint covers can be successfully powder coated or anodised to harmonize with the wall or ceiling finish. If this is required please contact a B/S representative to discuss the application.

APPLICATION



Model Data		G-SO-WW/CC										G-SO-CW													
Specify Model		50	75	100	125	150	200	250	300	350	400	450	500	50	75	100	125	150	200	250	300	350	400	450	500
Joint Width		50	75	100	125	150	200	250	300	350	400	450	500	50	75	100	125	150	200	250	300	350	400	450	500
Movement		25	25	25	25	25	25	25	25	25	25	25	25	12	12	12	12	12	12	12	12	12	12	12	12
Exposed Surface		160	185	210	235	260	310	360	410	460	510	560	610	105	130	146	185	205	255	305	355	405	455	505	555
Composition		Aluminum/Elastomeric												Aluminum/Elastomeric											

Model Data		G-GP-WW/CC					G-GP-CW				
Specify Model		50	75	100	125	150	50	75	100	125	150
Joint Width		50	75	100	125	150	50	75	100	125	150
Movement		25	37	50	62	75	12	18	25	31	38
Exposed Surface		150	175	200	225	250	100	125	150	175	200
Composition		Aluminum/Elastomeric					Aluminum/Elastomeric				

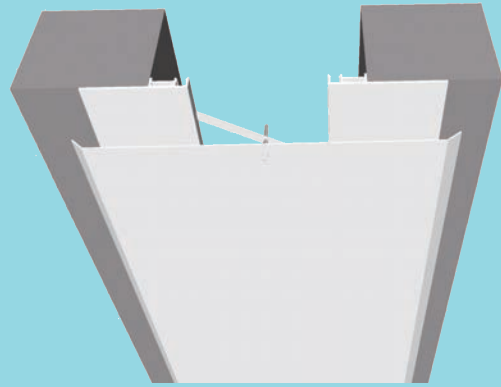
H SERIES/ METAL WALL & CEILING

Metal Plate System

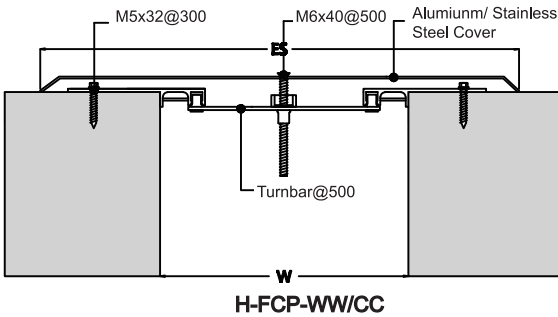
>Designed for wall and ceiling expansion joint applications.

>Suitable 75-500mm joint width.

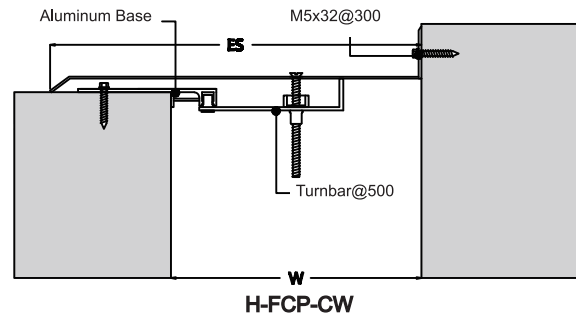
>50% movement.



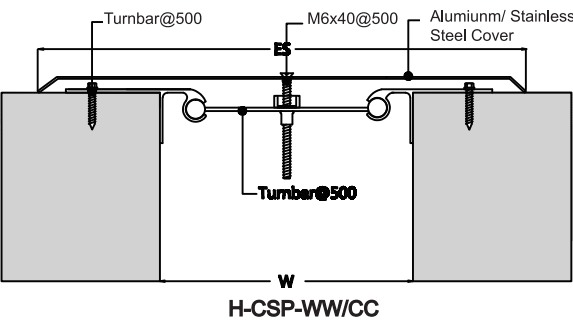
Wall to Wall



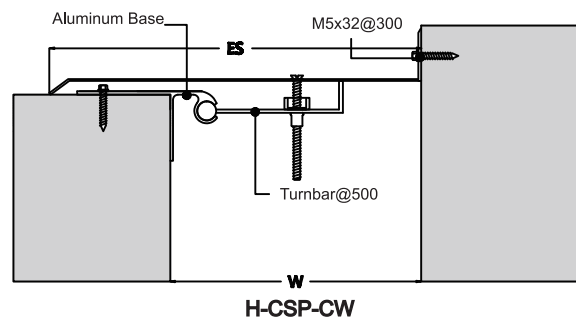
Wall to Corner



Wall to Wall



Wall to Corner



MATERIAL

ALUMINUM
 STAINLESS STEEL
 BRONZE

APPLICATION

INDOOR CONDITION
 COLOR MATCH OPTIONS
 SEISMIC DESIGN
 FIRE RATED AVAILABLE
 WATERPROOF SYSTEM

Model Data

Specify Model	H-FCP-WW/CC											H-FCP-CW										
Joint Width	75	100	125	150	200	250	300	350	400	450	500	75	100	125	150	200	250	300	350	400	450	500
Movement	37	50	62	75	100	125	150	175	200	225	250	18	25	31	37	50	62	75	87	100	112	125
Exposed Surface	175	200	225	250	300	375	450	525	600	675	750	125	150	175	200	250	312	375	437	500	562	625
Composition	Aluminum/ Stainless Steel/ Bronze											Aluminum/ Stainless Steel/ Bronze										

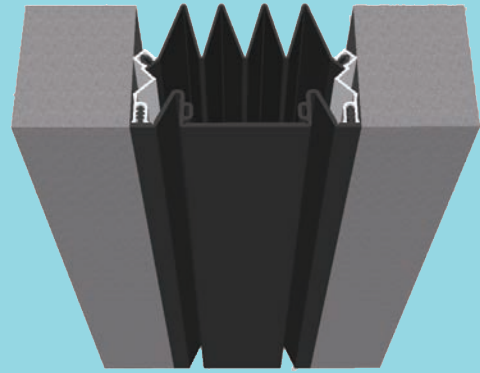
Model Data

Specify Model	H-CSP-WW/CC											H-CSP-CW										
Joint Width	75	100	125	150	200	250	300	350	400	450	500	75	100	125	150	200	250	300	350	400	450	500
Movement	37	50	62	75	100	125	150	175	200	225	250	18	25	31	37	50	62	75	87	100	112	125
Exposed Surface	175	200	225	250	300	375	450	525	600	675	750	125	150	175	200	250	312	375	437	500	562	625
Composition	Aluminum/ Stainless Steel/ Bronze											Aluminum/ Stainless Steel/ Bronze										

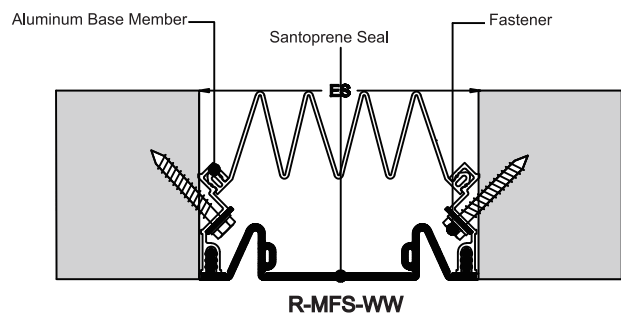
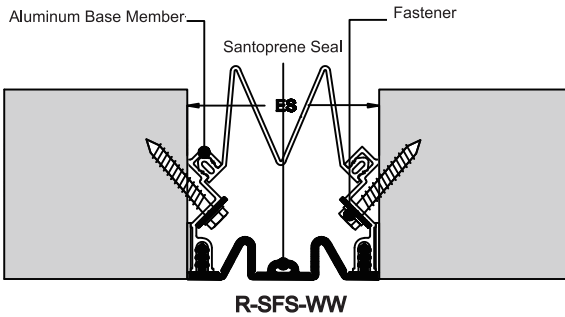
R SERIES/ SEAL WALL & CEILING

Santoprene Seal System

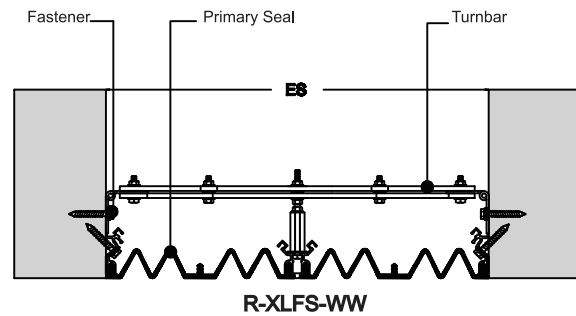
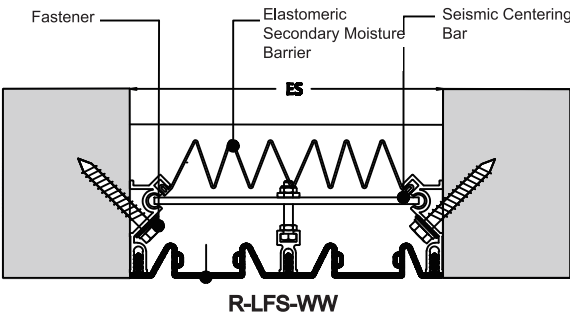
- >Exterior and interior wall and ceiling applications.
- >Frames designed to attach to most external skin structures.
- >Adapt construction subsiding, expanding & contracting earthquakes ect.
- >Excellent waterproof & anti-seismic ability.
- >Custom colour available.



Wall to Wall/ Corner



Wall to Wall/ Corner



COLOR

<input checked="" type="checkbox"/> Black	<input checked="" type="checkbox"/> White	<input checked="" type="checkbox"/> Beige
<input checked="" type="checkbox"/> Brown	<input checked="" type="checkbox"/> Light Gray	<input checked="" type="checkbox"/> Gray

APPLICATION

--	--	--	--	--

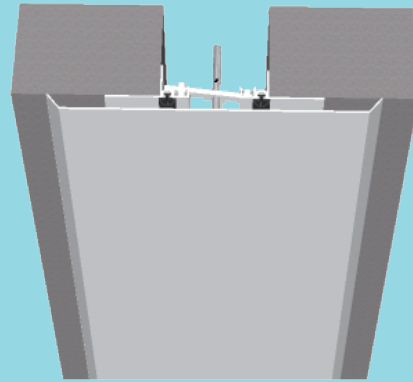
Model Data									
Specify Model	R-SFS-WW					R-MFS-WW			
Joint Width	50	75	100	125	100	125	150	200	
Movement	25	35	50	62	50	62	75	100	
Seal Size	50	75	100	125	100	125	150	200	
Composition	Aluminum/Elastomeric					Aluminum/Elastomeric			

Model Data									
Specify Model	R-LFS-WW					R-XLFS-WW			
Joint Width	150	200	250	300	250	300	350	400	
Movement	75	100	125	150	125	150	175	200	
Seal Size	150	200	250	300	250	300	350	400	
Composition	Aluminum/Elastomeric					Aluminum/Elastomeric			

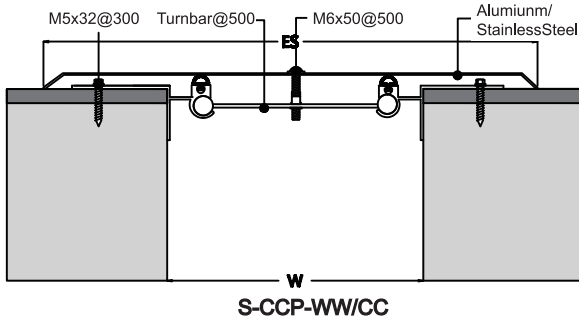
S SERIES/ METAL WALL

Metal Cover Plate System

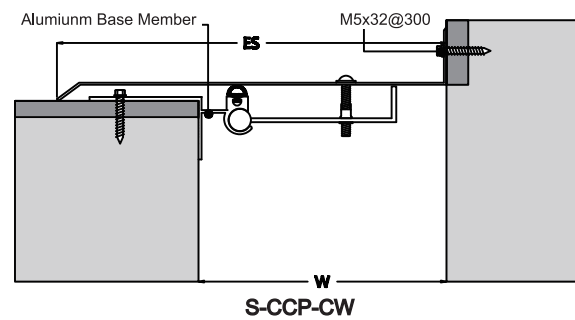
- >Exterior and interior wall applications.
- >Employ a stainless steel turn bar to ensure that the cover plate remains centered.
- >Aluminum, Stainless Steel, Brass are optional.
- >Minimum 50% movement.



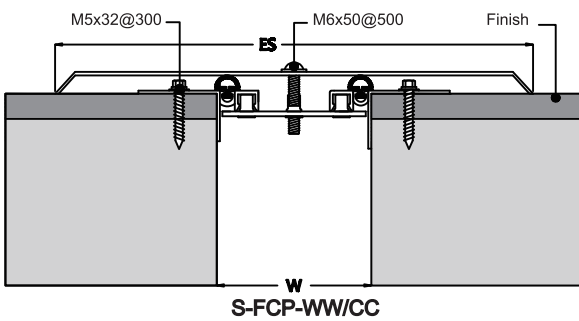
Wall to Wall



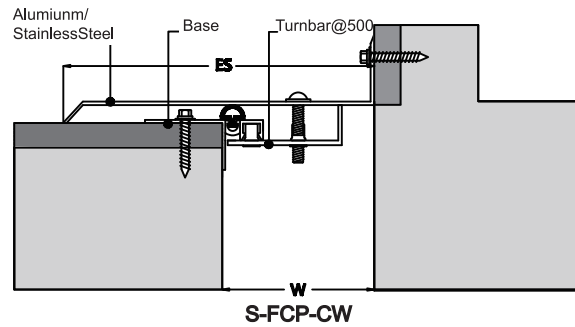
Wall to Corner



Wall to Wall



Wall to Corner



MATERIAL

ALUMINUM
 STAINLESS STEEL
 BRONZE

APPLICATION

OUTDOOR CONDITION
 COLOR MATCH OPTIONS
 CORNER CONDITION
 FIRE RATED AVAILABLE
 WATERPROOF SYSTEM

Model Data		S-CCP-WW										S-CCP-CW											
Specify Model		75	100	125	150	200	250	300	350	400	450	500	75	100	125	150	200	250	300	350	400	450	500
Joint Width		75	100	125	150	200	250	300	350	400	450	500	75	100	125	150	200	250	300	350	400	450	500
Movement		37	50	62	75	100	125	150	175	200	225	250	18	25	62	37	50	62	75	87	100	112	125
Exposed Surface		175	200	225	250	300	375	450	525	600	675	750	125	150	225	200	250	312	375	437	500	562	625
Composition		Aluminum/Elastomeric										Aluminum/Elastomeric											

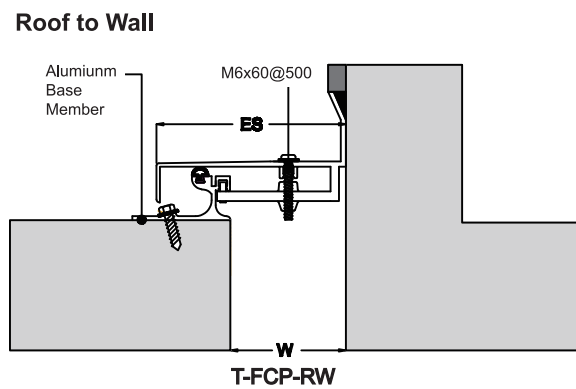
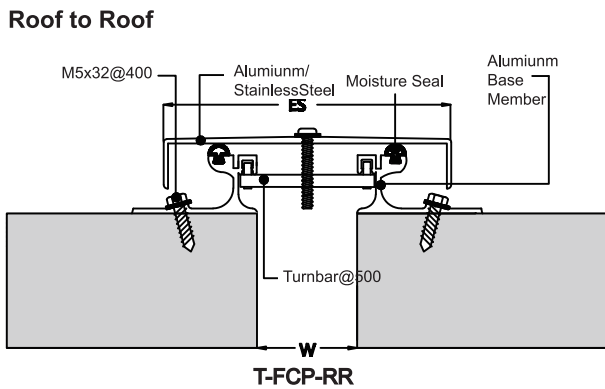
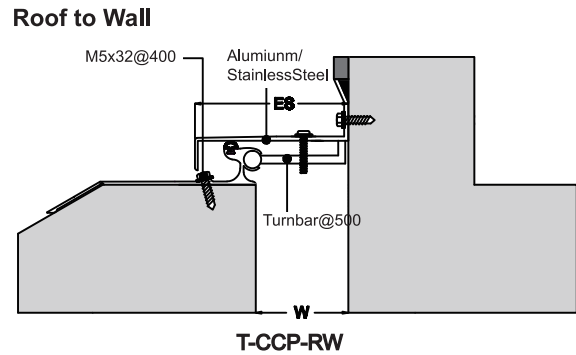
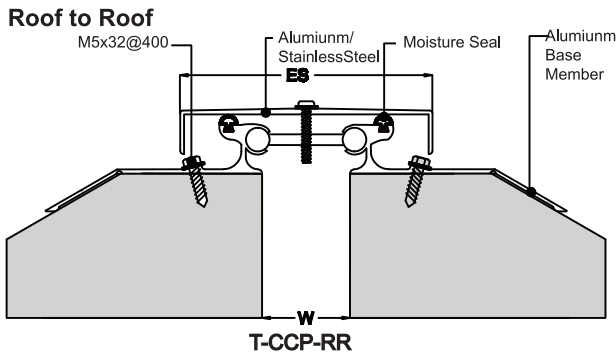
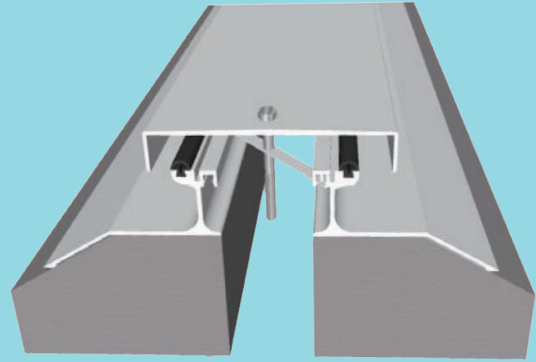
Model Data		S-FCP-WW										S-FCP-CW											
Specify Model		75	100	125	150	200	250	300	350	400	450	500	75	100	125	150	200	250	300	350	400	450	500
Joint Width		75	100	125	150	200	250	300	350	400	450	500	75	100	125	150	200	250	300	350	400	450	500
Movement		37	50	62	75	100	125	150	175	200	225	250	18	25	62	37	50	62	75	87	100	112	125
Exposed Surface		175	200	225	250	300	375	450	525	600	675	750	125	150	225	200	250	312	375	437	500	562	625
Composition		Aluminum/Elastomeric										Aluminum/Elastomeric											

Standard CAD details are available online at www.bsgroup.com. For application specific CAD details contact B/S directly.

T SERIES/ METAL ROOF

Metal Cover Plate System

- >Designed for roof expansion joint application.
- >All roof series joint covers come standard with a water/wind barrier and top seal gaskets for the centre plate screw of the flat roof cover.
- >Multi-directional movement requirements.
- >Minimum 50% movement.



MATERIAL

ALUMINUM STAINLESS STEEL

APPLICATION

OUTDOOR CONDITION
 COLOR MATCH OPTIONS
 CORNER CONDITION
 FIRE RATED AVAILABLE
 WATERPROOF SYSTEM

Model Data		T-CCP-RR										T-CCP-RW											
Specify Model		75	100	125	150	200	250	300	350	400	450	500	75	100	125	150	200	250	300	350	400	450	500
Joint Width		75	100	125	150	200	250	300	350	400	450	500	75	100	125	150	200	250	300	350	400	450	500
Movement		37	50	62	75	100	125	150	175	200	225	250	18	25	62	37	50	62	75	87	100	112	125
Exposed Surface		175	200	225	250	300	375	450	525	600	675	750	125	150	225	200	250	312	375	437	500	562	625
Composition		Aluminum/ Stainless Steel										Aluminum/ Stainless Steel											

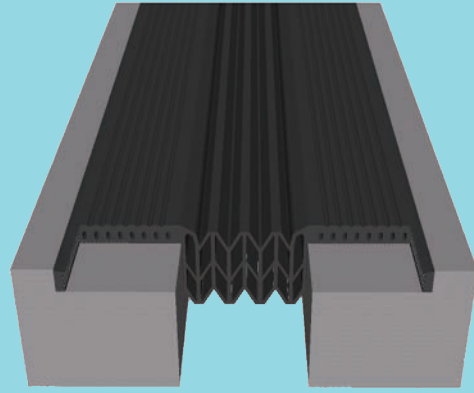
Model Data		T-FCP-RR										T-FCP-RW											
Specify Model		75	100	125	150	200	250	300	350	400	450	500	75	100	125	150	200	250	300	350	400	450	500
Joint Width		75	100	125	150	200	250	300	350	400	450	500	75	100	125	150	200	250	300	350	400	450	500
Movement		37	50	62	75	100	125	150	175	200	225	250	18	25	62	37	50	62	75	87	100	112	125
Exposed Surface		175	200	225	250	300	375	450	525	600	675	750	125	150	225	200	250	312	375	437	500	562	625
Composition		Aluminum/ Stainless Steel										Aluminum/ Stainless Steel											

Standard CAD details are available online at www.bs-group.com. For application specific CAD details contact B/S directly.

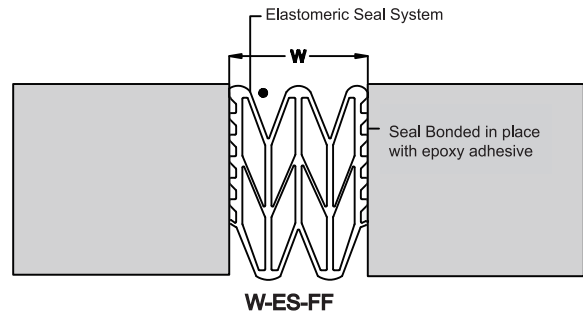
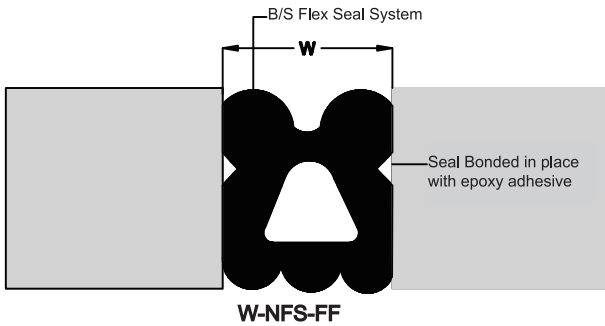
W SERIES/ PARKING

Wing Seals System

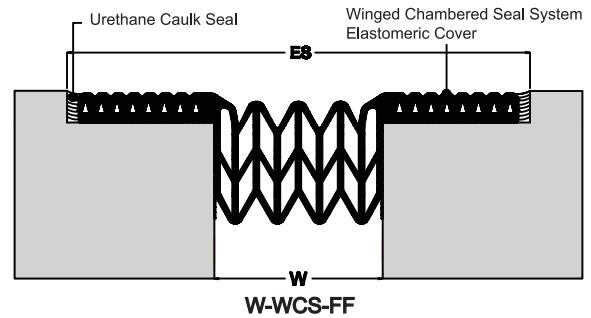
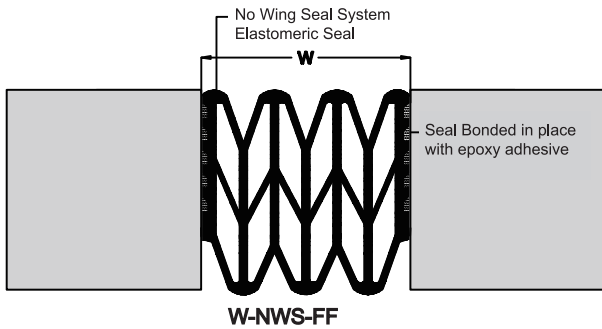
- >Heavy Duty, Open Air Structures, Parking Decks, Arenas, Stadiums, Exterior condition application.
- >Typical designs are wing seals, compression seals, epoxy bonded seals and flexible neoprene designs.
- >Joint sizes from 100-200mm.
- >Water resistant application.



Floor to Floor/ Wall

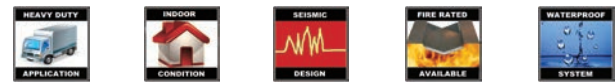


Floor to Floor/ Wall



>> The series is an elastomeric cover system used for waterproofing horizontal expansion joint openings from 21mm to 150mm wide. This design is well suited for post tension concrete with pedestrian and automobile traffic applications.

APPLICATION



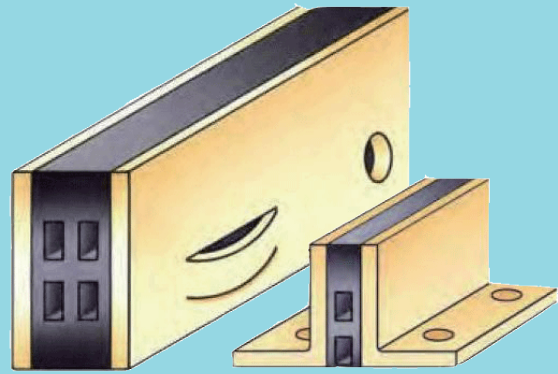
Model Data		W-NFS-FF					W-ES-FF				
Specify Model											
Joint Width	21	32	42	62	83	29	32	51	64	76	
Movement	21	32	42	60	81	29	32	51	64	76	
Seal Size	25	38	51	76	102	29	32	51	64	76	
Composition		Elastomeric					Elastomeric				

Model Data		W-NWS-FF					W-WCS-FF				
Specify Model											
Joint Width	38	51	64	83	98	51	75	100	125	150	
Movement	38	51	64	83	98	51	75	100	125	150	
Seal Size	38	51	64	83	98	229	250	275	300	300	
Composition		Elastomeric					Elastomeric				

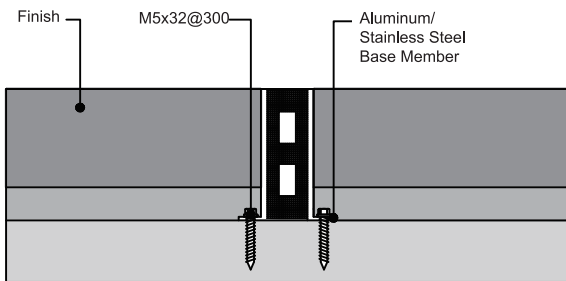
V SERIES/ TILE & TCL STRIP

Tile & Marble System

- >Designed for all hard flooring application and are designed to be installed in conjunction with wet bedded flooring application.
- >Brass, Zinc, Rebonite, Stainless Steel.
- >The gasket is continuous.

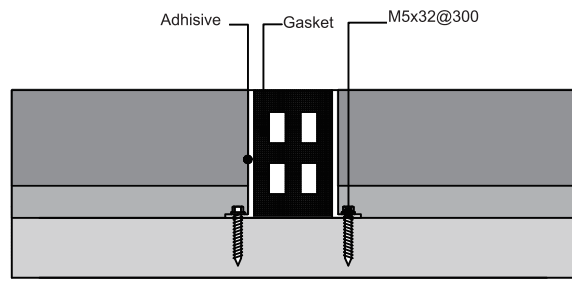


Floor(Wall) to Floor(Wall)



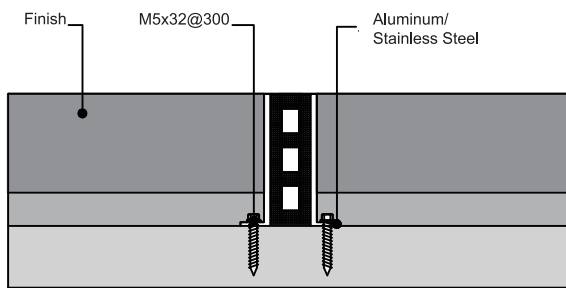
V-NLS-22x6

Floor(Wall) to Floor(Wall)



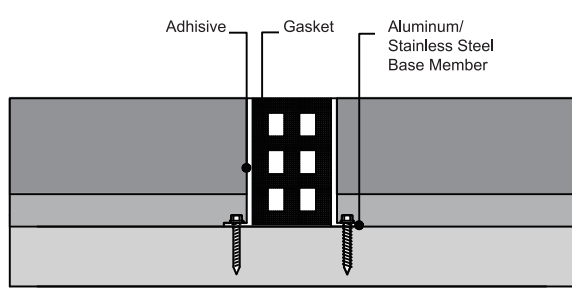
V-NLS-22x12

Floor(Wall) to Floor(Wall)



V-NLS-40x6

Floor(Wall) to Floor(Wall)



V-NLS-40x12

>>
When specifying always state neoprene colour required after product type, If requiring non-standard B/S V series please consult with B/S representative.

APPLICATION



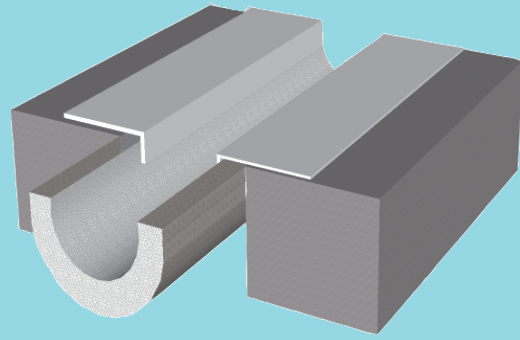
Model Data		
Specify Model	V-NLS-22X6	V-NLS-22X12
Joint Width	6	12
Movement	3	6
Exposed Surface	6	12
Composition	Aluminum/ Stainless Steel/ Bronze/ Elastomeric	Aluminum/ Stainless Steel/ Bronze/ Elastomeric

Model Data		
Specify Model	V-NLS-40X6	V-NLS-40X12
Joint Width	6	12
Movement	3	6
Exposed Surface	6	12
Composition	Aluminum/ Stainless Steel/ Bronze/ Elastomeric	Aluminum/ Stainless Steel/ Bronze/ Elastomeric

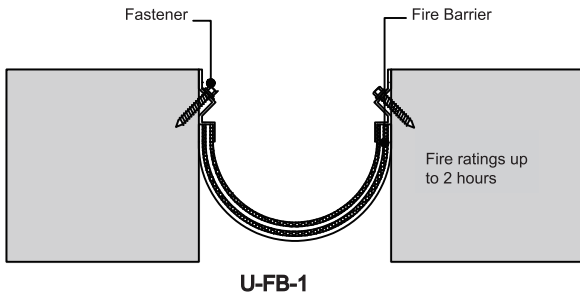
U SERIES/ FIRE BARRIER

Fire Barrier System

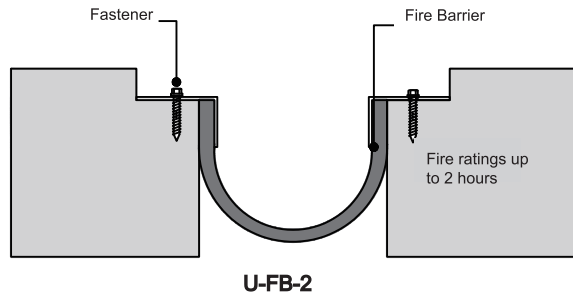
- >B/S standard floor fire barrier is 2 hour rated for joint openings up to 500mm.
- >Contact factory for 3 and 4 hour ratings.
- >Designed to be used in conjunction with B/S joint covers.
- >Splices and transitions are easily accomplished on-site.
- >Available in seismic and non-seismic.



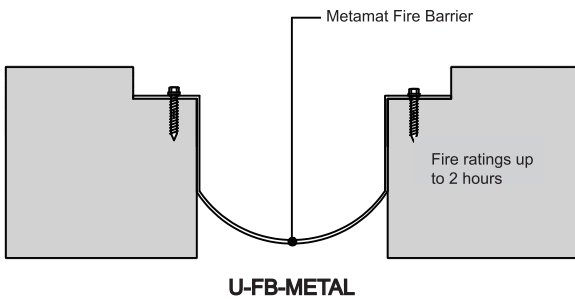
Floor(Wall) to Floor(Wall)



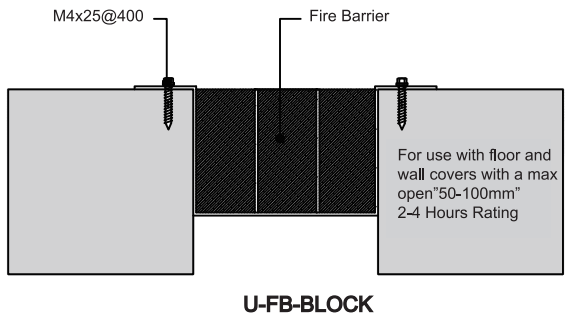
Floor(Wall) to Floor(Wall)



Floor(Wall) to Floor(Wall)

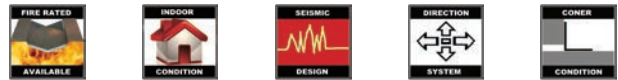


Floor(Wall) to Floor(Wall)



>>
 B/S offer Fire Rated Systems(Barriers) to be used in conjunction with B/S Expansion Joint Covers. Contact your B/S representative with your joint and fire rating requirements to allow us to offer suitable systems to meet your requirements.

APPLICATION



Model Data		U-FB-1												U-FB-2											
Specify Model		25	75	100	125	150	200	250	300	350	400	450	1000	25	75	100	125	150	200	250	300	350	400	450	500
Joint Width		25	75	100	125	150	200	250	300	350	400	450	1000	25	75	100	125	150	200	250	300	350	400	450	500
Movement		12	25	50	50	50	50	50	75	100	125	150	500	12	35	50	63	75	100	125	150	175	200	225	250
System Width		25	75	100	125	150	200	250	300	350	400	450	1000	25	75	100	125	150	200	250	300	350	400	450	500
Composition		Fire Barrier												Fire Barrier											

Model Data		U-FB-METAL												U-FB-BLOCK											
Specify Model		25	75	100	125	150	200	250	300	350	400	450	1000	25	75	100	125	150	200	250	300	350	400	450	500
Joint Width		25	75	100	125	150	200	250	300	350	400	450	1000	25	75	100	125	150	200	250	300	350	400	450	500
Movement		12	25	50	50	50	50	50	75	100	125	150	500	12	35	50	63	75	100	125	150	175	200	225	250
System Width		25	75	100	125	150	200	250	300	350	400	450	1000	25	75	100	125	150	200	250	300	350	400	450	500
Composition		Fire Barrier												Fire Barrier											

Standard CAD details are available online at www.b-sgroup.com. For application specific CAD details contact B/S directly.

THE B/S EXPANSION JOINT COVERS CHECKLIST

Name: _____ Company: _____ Date: _____
 Customer Contact/Phone: _____ Fax: _____ E-mail: _____
 Project: _____ Project Address: _____ City/State/Zip: _____

INSTALLATION LOCATION

<input type="checkbox"/> Interior	<input type="checkbox"/> Floor	<input type="checkbox"/> Ceiling
<input type="checkbox"/> Exterior	<input type="checkbox"/> Wall	<input type="checkbox"/> Roof
	<input type="checkbox"/> Deck	<input type="checkbox"/> Parking

CONSTRUCTION TYPE

New Construction
 Retrofit Construction

FIRE RATING

No Fire Rating
 Fire Rating
 2-hr 3-hr 4-hr

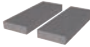
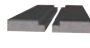


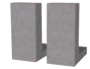

WATERTIGHTNESS

Best
 Good

EXPANSION GAP INFORMATION

Joint Gap Width(s): _____	Gap Depth: _____	Total Length: _____
Have Gap Dimensions Been Field Measured? <input type="checkbox"/> Yes/ <input type="checkbox"/> No Substrate Surface Temp. _____ Ambient Temp. _____	Substrate Composition: _____ (e.g., concrete, brick, metal, etc.)	
Movement(if know): _____ (e.g., +/-25%; +/-50%; +/-100%, etc.)	Joint Will Seal Out: <input type="checkbox"/> Rain/Water <input type="checkbox"/> Cold/Heat <input type="checkbox"/> Sound <input type="checkbox"/> Air <input type="checkbox"/> Vermin <input type="checkbox"/> Other	
Are There Transitions? <input type="checkbox"/> Yes(explain) / <input type="checkbox"/> No _____ _____	How Does the Joint Terminate? _____	

Deck Construction

<input type="checkbox"/> Floor to Floor	<input type="checkbox"/> Floor to Wall	
<input type="checkbox"/> Floor to Floor	<input type="checkbox"/> Floor to Wall	
<input type="checkbox"/> Wall to Wall	<input type="checkbox"/> Wall to Corner	
<input type="checkbox"/> Ceiling to Ceiling	<input type="checkbox"/> Ceiling to Wall	
<input type="checkbox"/> Wall to Wall	<input type="checkbox"/> Wall to Corner	
<input type="checkbox"/> Roof to Roof	<input type="checkbox"/> Roof to Wall	

Traffic Types(Check all that apply):
 Car Bus Pedestrian
 Other _____

Sketch your Joint Requirements

Larger movement capacities are available. Contact your B/S Representative to discuss your application.

Architect: _____ Engineer: _____ Contractor: _____



TISHMAN SPEYER

THE SPRING
(JiangWan New Town)
Shanghai China

Project Brief:

Tishman Speyer is one of the leading owners, developers, fund managers and operators of real estate in the world.

The Springs project, a big new community in new Jiangwan Town in northeast Shanghai's Yangpu District.

With a total investment of US\$2.5 billion, the mixed-use project covers a land area of more than 267,000 square meters with a total buildable space of more than 900,000 square meters. Upon completion, it will become one of the largest urban complex in china.

B/S Products:

Expansion Joint Covers

For the Expansion Joint System B/S chose to use R series Exterior Seal Wall expansion joint covers. The R series has excellent waterproof and anti-seismic abilities.



HIGHLIGHT PROJECTS

PEPSICO

Asia Research and Development Center
Shanghai China

Project Brief:

Pepsico Inc, the United States-based food and beverage giant, opened its largest research and development center outside North American in shanghai.

The center occupies 16,000 square meters of space and was built with total investment of more than \$40 million, It is intended to serve as a hub of new product development and identification, as well as packaging and equipment innovation for Pepsico' businesses in Asia.

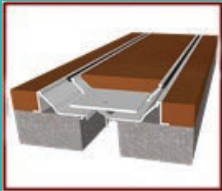
B/S Products:

Expansion Joint Covers

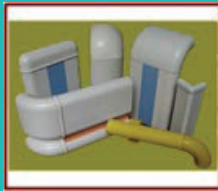
B/S was asked by the general contractor to design an expansion joint covers concept for the curved gap in interior floor and seismic gap in interior and exterior wall. B/S shanghai supplied D series expansion joint covers in the office and factory part of the building.



PRODUCT FAMILY



Expansion Joint Systems



Wall & Corner Protection



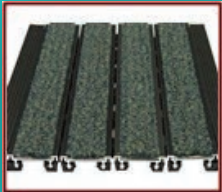
Curtain Products



Special Door & Vents



Ceiling & Partition



Floor Mats



Industrial/ Commercial Floor



coating



Ceramics



Building Hardware

Shanghai Building Specialties Co.,Ltd

Tel :021-62377221

Fax:021-62251210

Toll Free : 4006-030113

www.b-sgroup.com

sales@b-sgroup.com

Add: Room2102, No595, WuDing Road, JingAn District, Shanghai, China.